



vivacaffe.com

Spiral Dough Mixer IM-44 DUS



STANDARD FEATURES

- Commercial electric spiral dough mixer.
- Heavy duty construction.
- Stainless steel frame.
- Stainless steel bowl.
- Dual speed.
- Geared motor chain drive system.
- Casters with brake.

OPTIONS

- Lifted head and removable bowl

ITEM:

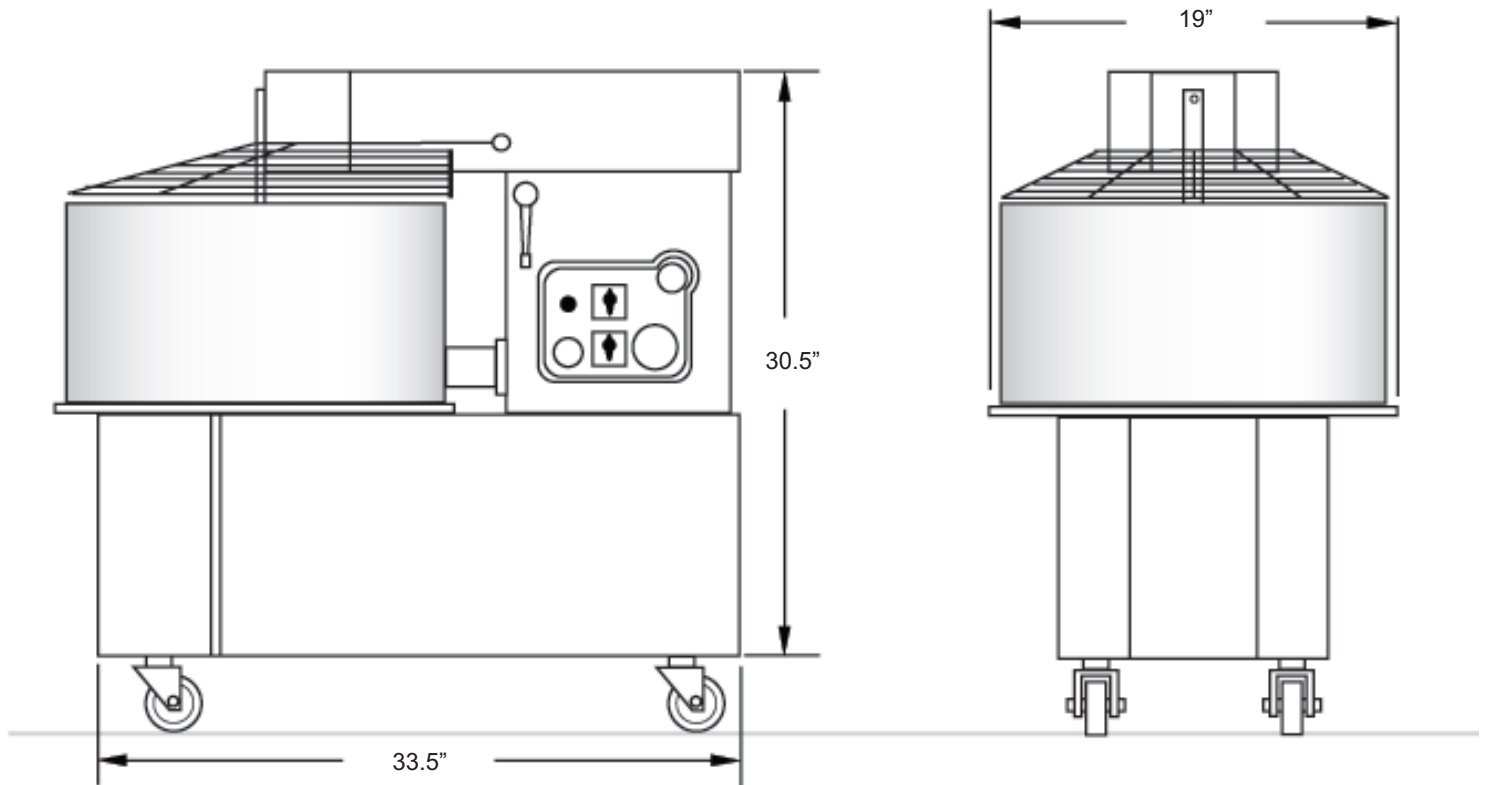
PROJECT:

DATE:

Spiral Dough Mixer
IM-44 DUS



Spiral Dough Mixer IM-44 DUS



Model	Flour Capacity	Kneading Capacity	Volume Capacity	Dimensions (Inches) WxDxH	Weight	Power V/hz/ph
IM-44 DUS	66 lbs.	97 lbs.	53 qts.	19 x 33.5 x 30.5	243 lbs.	220/60/3



VIVA Italian Coffee, Inc.
1800 Stout Drive, Warminster, PA 18974
267-315-3550
info@VivaCaffe.com
www.VivaCaffe.com

