



vivacaffe.com

Spiral Dough Mixer IM-44 MUS



STANDARD FEATURES

- Commercial electric spiral dough mixer.
- Heavy duty construction.
- Stainless steel frame.
- Stainless steel bowl.
- Single speed.
- Geared motor chain drive system.
- Casters with brake.

OPTIONS

- Lifted head and removable bowl

ITEM:

PROJECT:

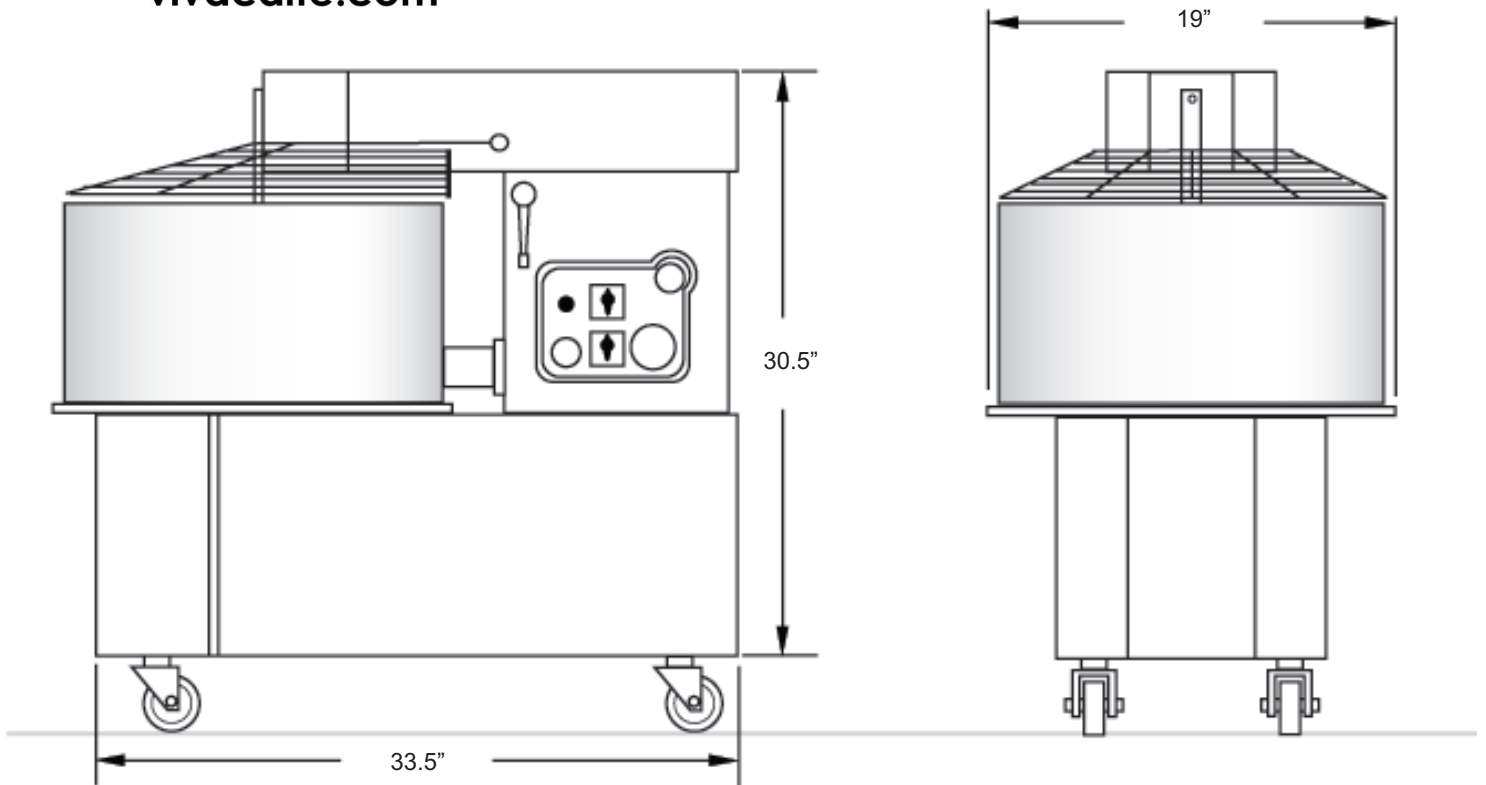
DATE:

Spiral Dough Mixer
IM-44 MUS



vivacaffe.com

Spiral Dough Mixer IM-44 MUS



Model	Flour Capacity	Kneading Capacity	Volume Capacity	Dimensions (Inches) WxDxH	Weight	Power V/hz/ph
IM-44 MUS	66 lbs.	97 lbs.	53 qts.	19 x 33.5 x 30.5	243 lbs.	220/60/1



VIVA Italian Coffee, Inc.
1800 Stout Drive, Warminster, PA 18974
267-315-3550
info@VivaCaffe.com
www.VivaCaffe.com



Rosito and Bisani Imports reserve the right to make changes in design specifications and/or to make additional improvements in its products without imposing any obligations upon itself to install them on products previously manufactured. © 2013.