



Pasta Cooker High BTU CPG-2



STANDARD FEATURES

- Double chamber in 18/10 stainless steel
- 304 and 316 series stainless steel construction.
- 12 gallon water capacity per tank chamber.
- Dual Burners Per Tank Chamber.
- Triple fiberglass insulation on all sides.
- Seamless stainless steel baskets with specially designed perforated holes.
- Multiple basket size configurations.
- Specially designed burner creates a water current flow that lifts starch carrying it out to the overflow drain.
- Automatic pilot.
- Top mount water faucet for continuous clean water flow.
- Low water safety cut-off.
- 80,000 BTU per chamber burners.
- Adjustable legs.

OPTIONS

- Single chamber.
- Triple chamber.
- Multiple basket size configuration in stainless steel.
- Casters.

ITEM:

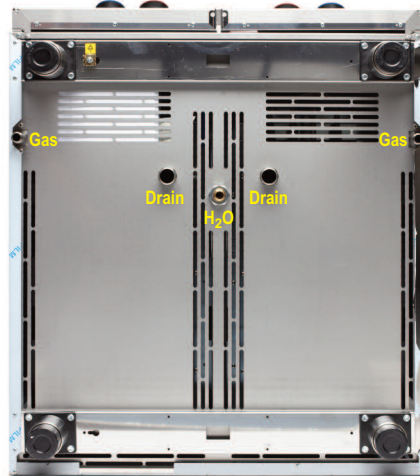
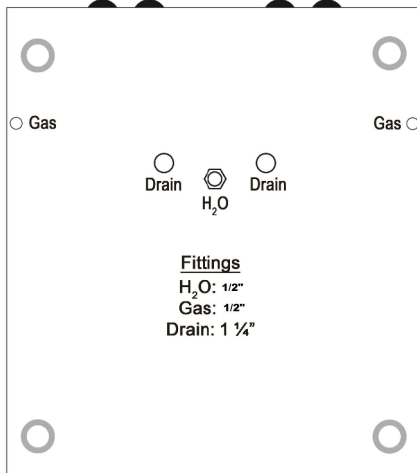
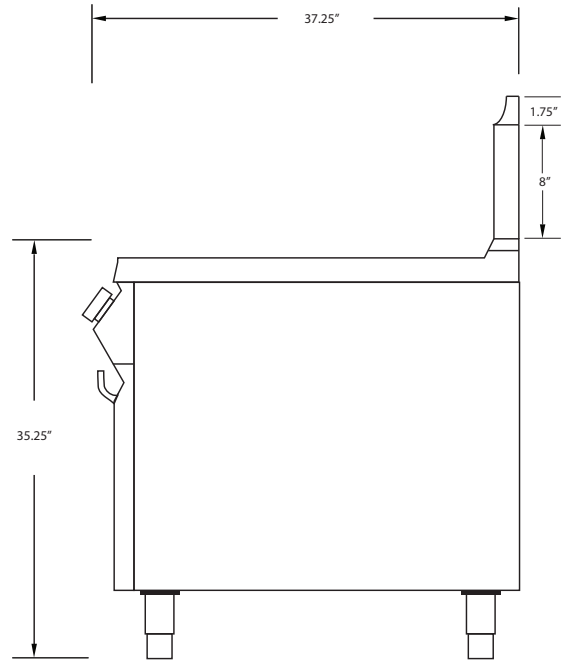
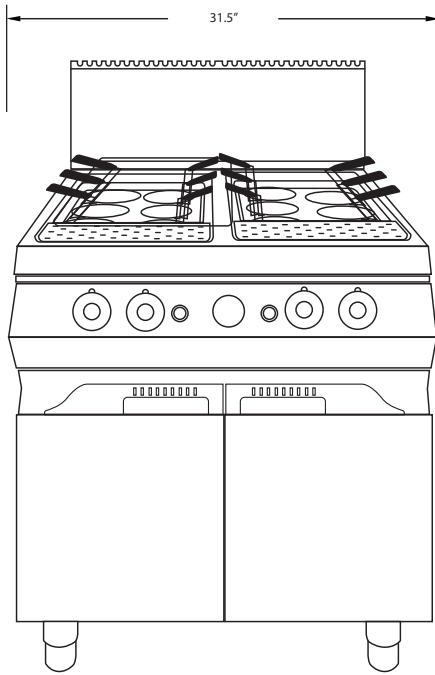
PROJECT:

DATE:

**Pasta Cooker
High BTU
CPG-2**



Pasta Cooker High BTU CPG-2



MODEL	UNIT DIMENSION W x D x H	TANK DIMENSION W x D x H	CAPACITY (GAL.)	WT.	SHIP WT.	K.W.	V.	PH.	HZ.	AMPS	H ₂ O	GAS	DRAIN	BTU	WATER COLUMN
CPG 2 (GAS)	31.5" x 37.25 x 45	12" x 20 x 12	24 gal.	280 lbs.	300 lbs.	X	X	X	X	X	1/2"	1/2" (2 inlets)	1 1/4" (2 outlets)	80,000 (per side)	4 1/2"



VIVA Italian Coffee, Inc.
1800 Stout Drive, Warminster PA 18974
267-315-3550
info@VivaCaffe.com
www.VivaCaffe.com

